

INDUCTION MOTORS BH Series Single-Phase Terminal Box Type

200w

Frame Size □104mm



- **BH Series motors provide 200W output power and up to 40 N·m of torque in a compact 104mm sq. mounting configuration.**
- **For easy installation, the BH Series motor and gearhead come pre-assembled with the combination type.***
- **Combination Type have been designed and assessed as Overvoltage Category III, Pollution Level Class 3 and Class I equipment (EN/IEC standards).**

* **Combination Type:** Combination types come with the motor and its dedicated gearhead already assembled. This simplifies installation in equipment. Motors and gearheads are also available separately so you can have them on hand to make changes or repairs.

Specifications – Continuous Rating

Model Combination Type (Round Shaft Type)	Output Power	Voltage	Frequency	Current	Starting Torque	Rated Torque	Rated Speed	Capacitor	Degree of Protection
	W	V	Hz	A	N·m	N·m	r/min.	μF	
BHI62ET-□ (BHI62ET-A)	200	Single-Phase 220	60	1.5		1.27	1500	10	IP54*
		Single-Phase 230	50	1.5	0.98	1.52	1250		
		Single-Phase 230	60	1.5		1.27	1500		
BHI62FT-□ (BHI62FT-A)		Single-Phase 110	60	3	0.88	1.27	1500	40	IP54*
		Single-Phase 115	60	3	0.98	1.27	1500		

- The product contains a built-in thermal protector. When a motor overheats for any reason, the thermal protector is opened and the motor stops. When the motor temperature drops, the thermal protector closes and the motor restarts. Be sure to turn the motor off before inspecting.
- Enter the gear ratio in the box (□) with in the model number.
- *Except for the mounting surface of the round shaft motor.

Gearmotor – Torque Table

Single-Phase 50Hz

Unit = N·m

Model	Speed r/min	500	300	200	120	100	60	50	30	20	15	10
	Gear Ratio	3	5	7.5	12.5	15	25	30	50	75	100	150
BHI62ET-□		4.1	6.8	10.3	16.3	19.6	32.7	39.2	40	40	40	40

Single-Phase 60Hz

Unit = N·m

Model	Speed r/min	600	360	240	144	120	72	60	36	24	18	12
	Gear Ratio	3	5	7.5	12.5	15	25	30	50	75	100	150
BHI62ET-□		3.4	5.7	8.6	13.7	16.4	27.3	32.8	40	40	40	40
BHI62FT-□												

- Eleven gear ratios are available. Decimal gearheads are not available for **BH** series.
- Enter the gear ratio in the box (□) within the model number.
- The speed is calculated by dividing the motor's synchronous speed (50Hz: 1500r/min, 60Hz: 1800r/min) by the gear ratio. The actual speed is 2 ~ 20% less than the displayed value, depending on the size of the load.

Type

Eleven gear ratios are available. Decimal gearheads are not available for **BH** series.

Combination Type

Voltage	Model
Single-Phase 220V/230V	BHI62ET-3, 5, 7.5, 12.5, 15, 25, 30, 50, 75, 100, 150
Single-Phase 110V/115V	BHI62FT-3, 5, 7.5, 12.5, 15, 25, 30, 50, 75, 100, 150

Round Shaft Type

Voltage	Model
Single-Phase 220V/230V	BHI62ET-A
Single-Phase 110V/115V	BHI62FT-A

List of Motor / Gearhead Combination

Model numbers for motor /gearhead combinations are shown below.

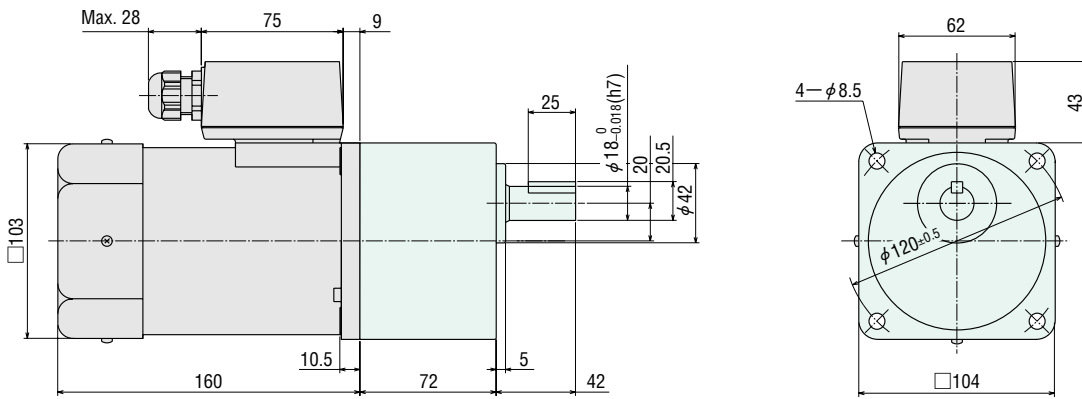
Combination Model	Motor Model	Gearhead Model
BHI62ET- □	BHI62ET-G2	BH6G2-□
BHI62FT- □	BHI62FT-G2	BH6G2-□

● Enter the gear ratio in the box (□) within the model number.

Dimensions (Scale 1/4, Unit =mm)

BHI62ET-□
BHI62FT-□

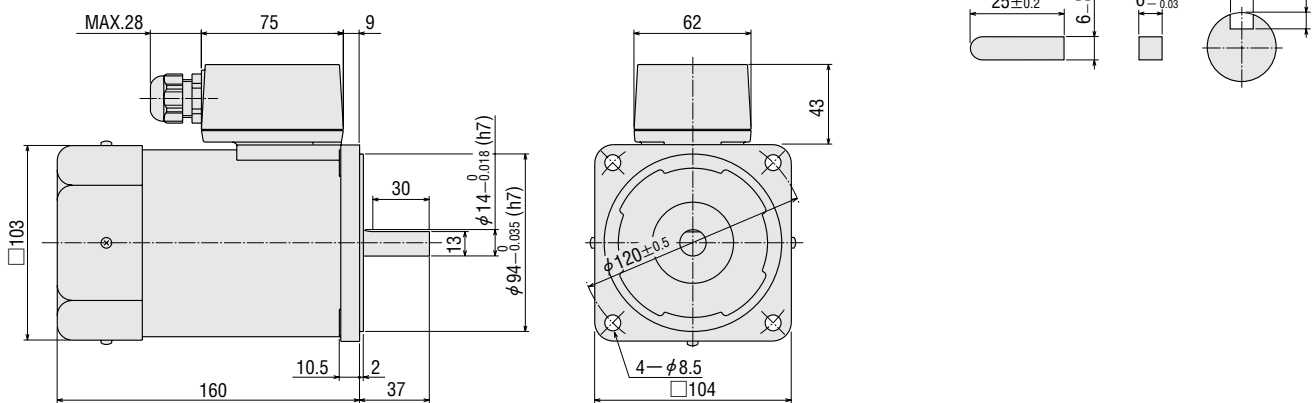
Mass : 8.0 kg



Note : Use cabtyre cable with the diameter of $\phi 6 \sim \phi 12$ mm.

BHI62ET-A
BHI62FT-A

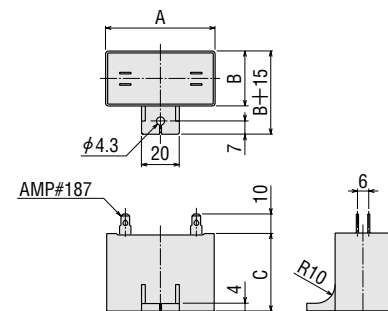
Mass : 5.0 kg



● The key is provided with the combination type.

Note : Use cabtyre cable with the diameter of $\phi 6 \sim \phi 12$ mm.

Capacitor (included with the motor)



Capacitor Dimensions (mm)

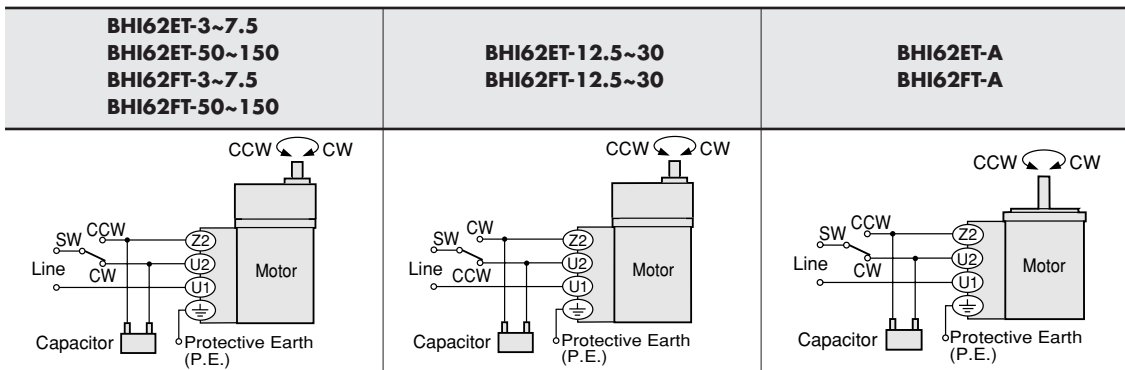
Motor Model	Capacitor Model	A	B	C	Mass (g)
BHI62ET- □	CH100BFAUL	58	35	50	132
BHI62ET-A					
BHI62FT- □	CH400CFAUL2	58	41	58	175
BHI62FT-A					

● If you need to order a capacitor without a motor, add "-C" to the capacitor model number shown. A capacitor cap is always included with a capacitor.

● Enter the gear ratio in the box (□) within the model number.

Wiring Diagrams

The direction of motor rotation is as viewed from the shaft end of the motor.



To rotate the motor in a clockwise(CW)direction, flip switch SW to CW.

To rotate the motor in a counterclockwise(CCW)direction, flip switch SW to CCW.

Note : Change the direction of motor rotation only after bringing the motor to a stop.

If an attempt is made to change the direction of rotation while the motor is rotating, the motor may ignore the reversing command or change its direction of rotation after some delay.

Accessories (Sold separately)

Motor Mounting Brackets

Optional die-cast aluminum mounting brackets are available. They can be used to install motors with or without gearheads. Refer to page A-220 for further detail.

